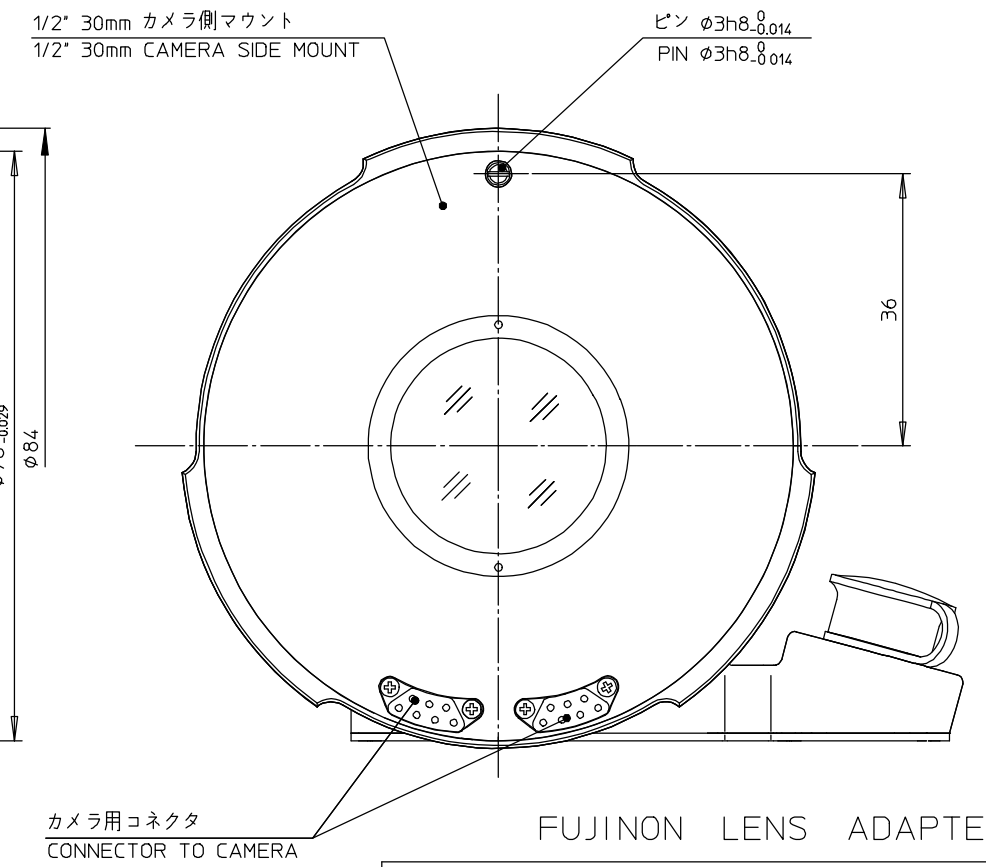
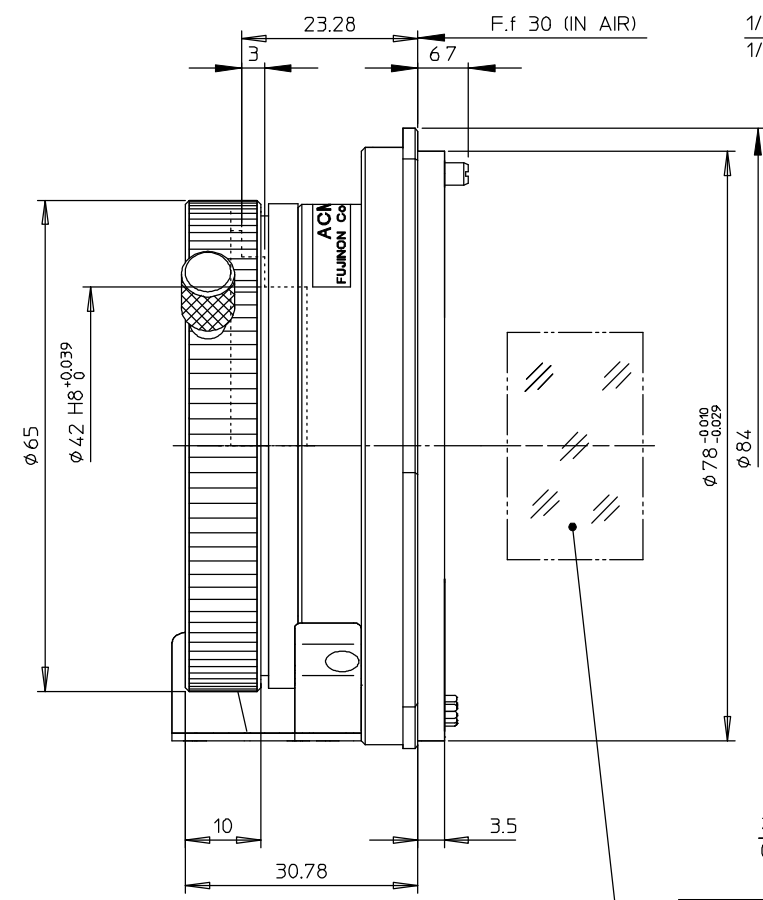
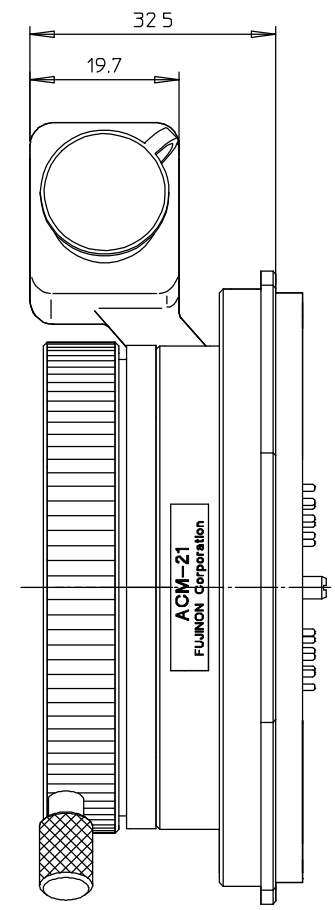
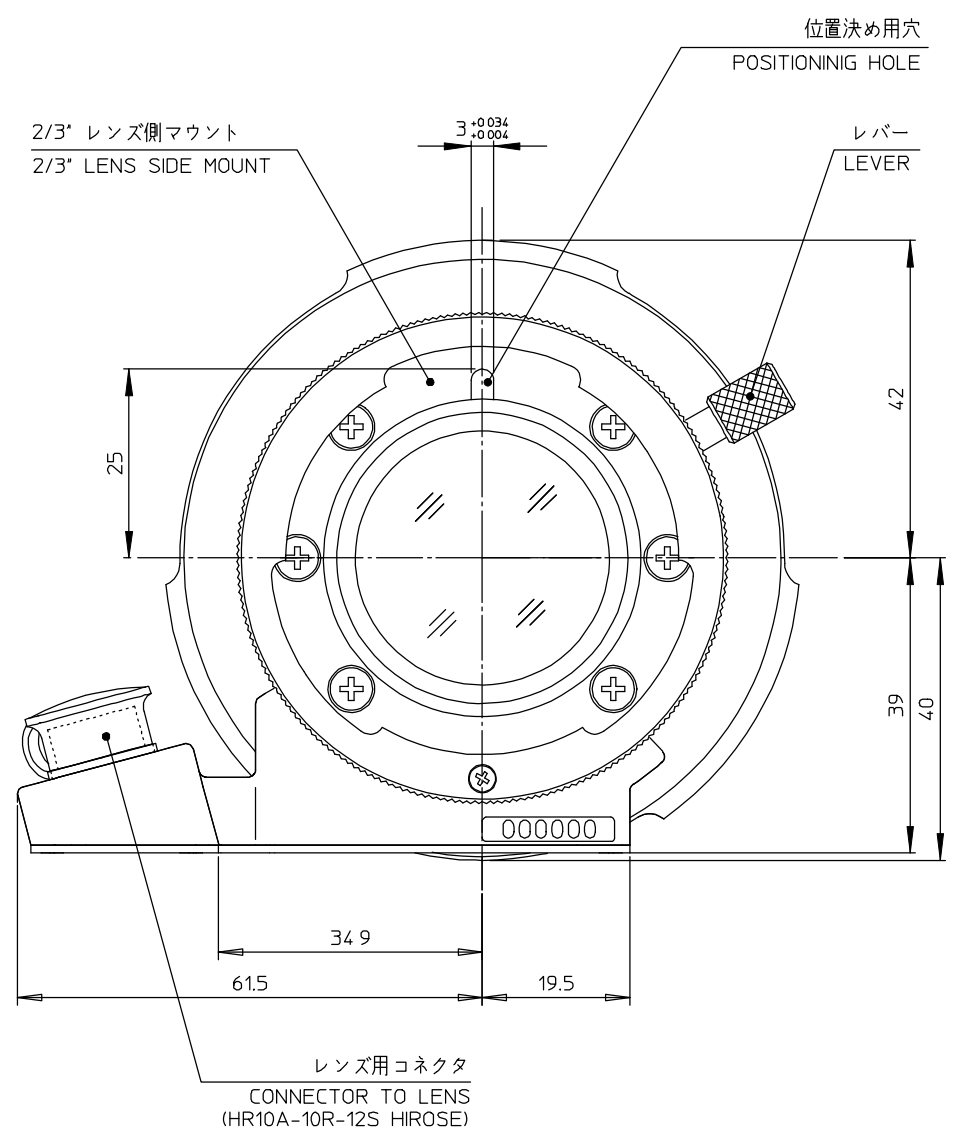


REVISIONS				
SYM	DATE	DESCRIPTIONS	CHG	CHG No.
X Δ				
X Δ				



FUJINON LENS ADAPTER

PROT FINISH		GEN TOL		1-324 UETAKE, KITA-KU, SAITAMA-CITY, SAITAMA 331-9624, JAPAN		TITLE	
		LINEAR	ANGLE	DR			ACM-21
		±	±	DSGN			
		NOTE		CHK			
	MATERIAL	GEN ROUGHNESS		APPD			
LA558A-21		✓	(✓)	DATE	SCALE	SH	DWG No
USED ON		NOTE		APR- 7 -2008	1: 1 (:)		97A10566A210